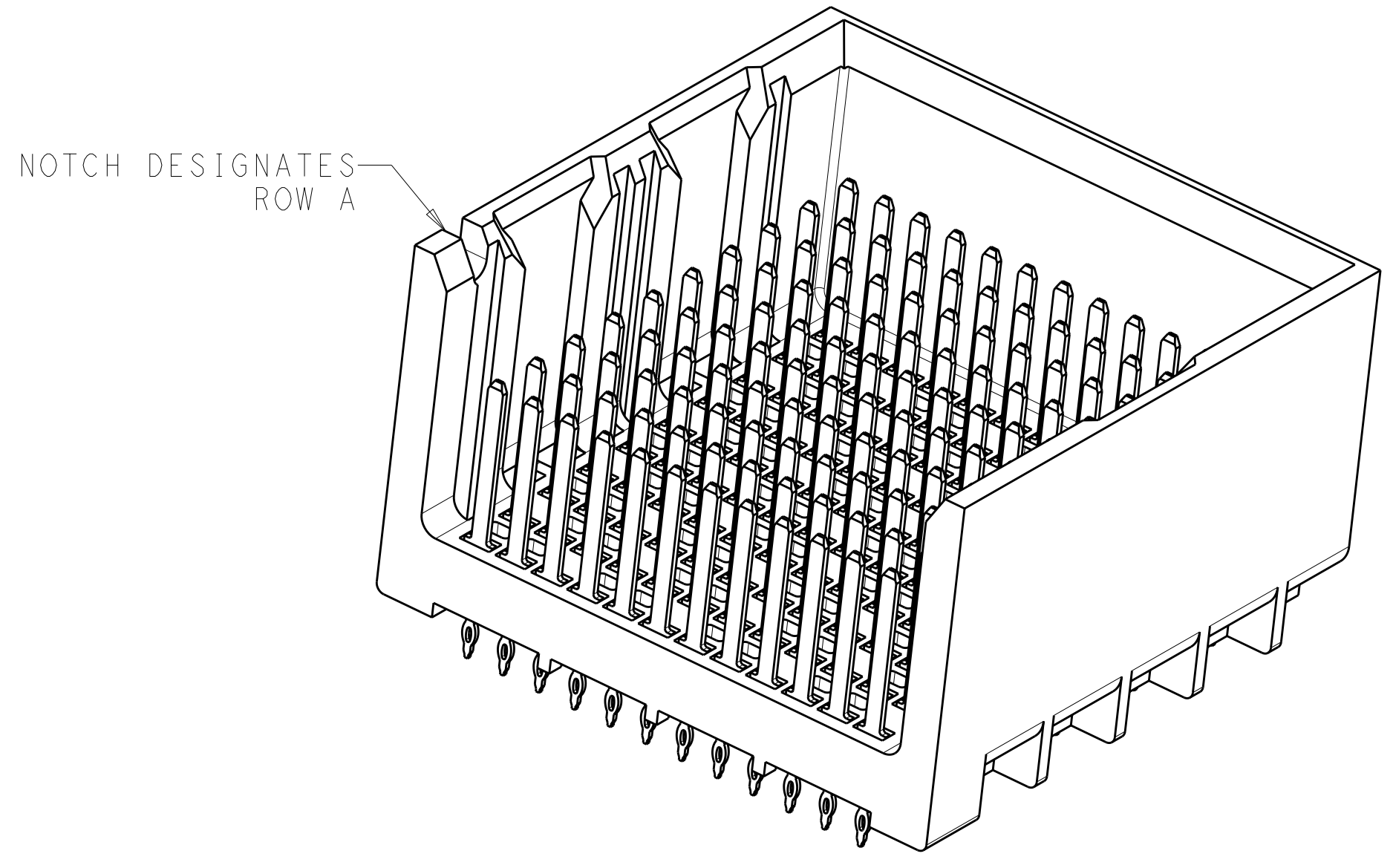
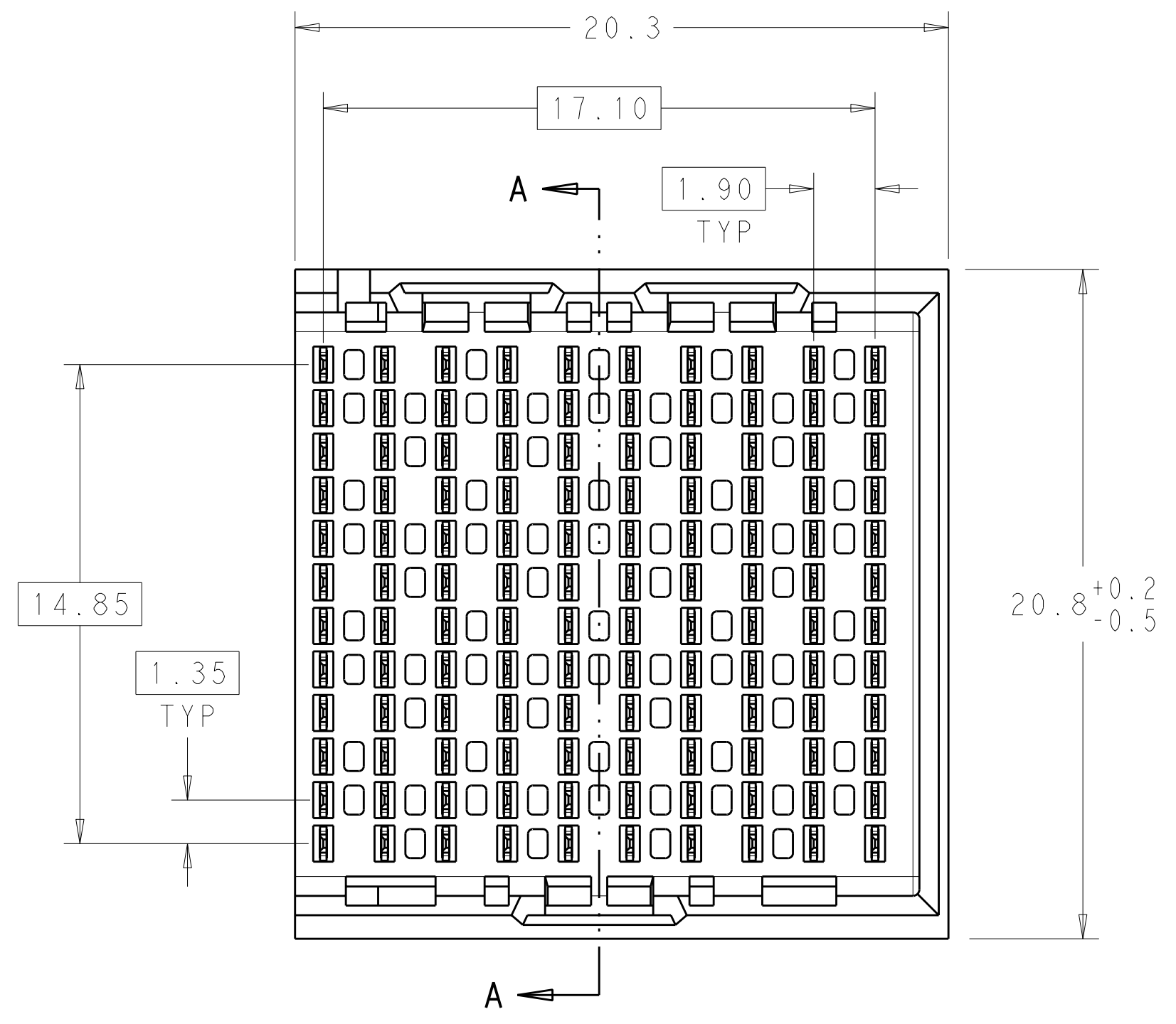
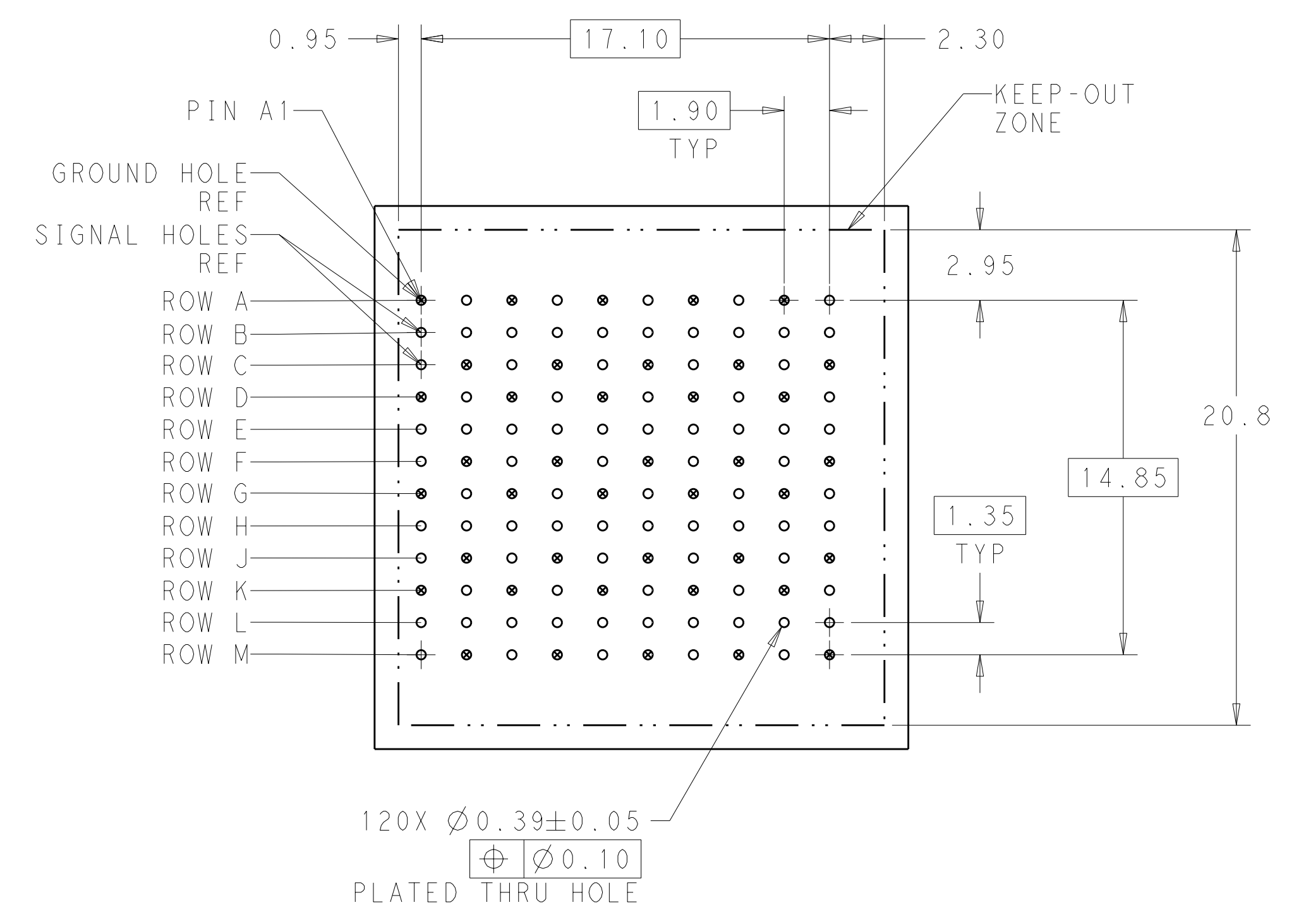


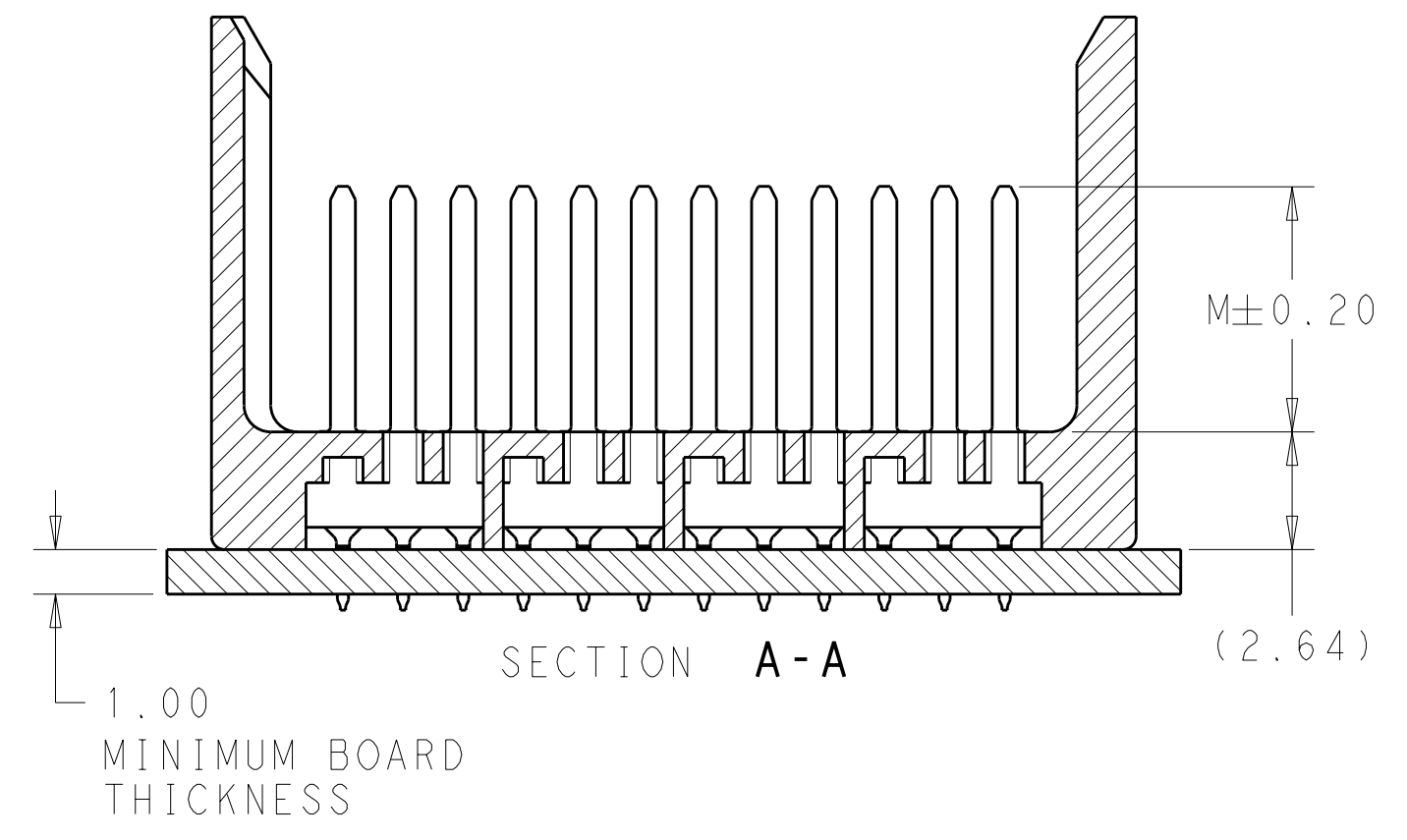
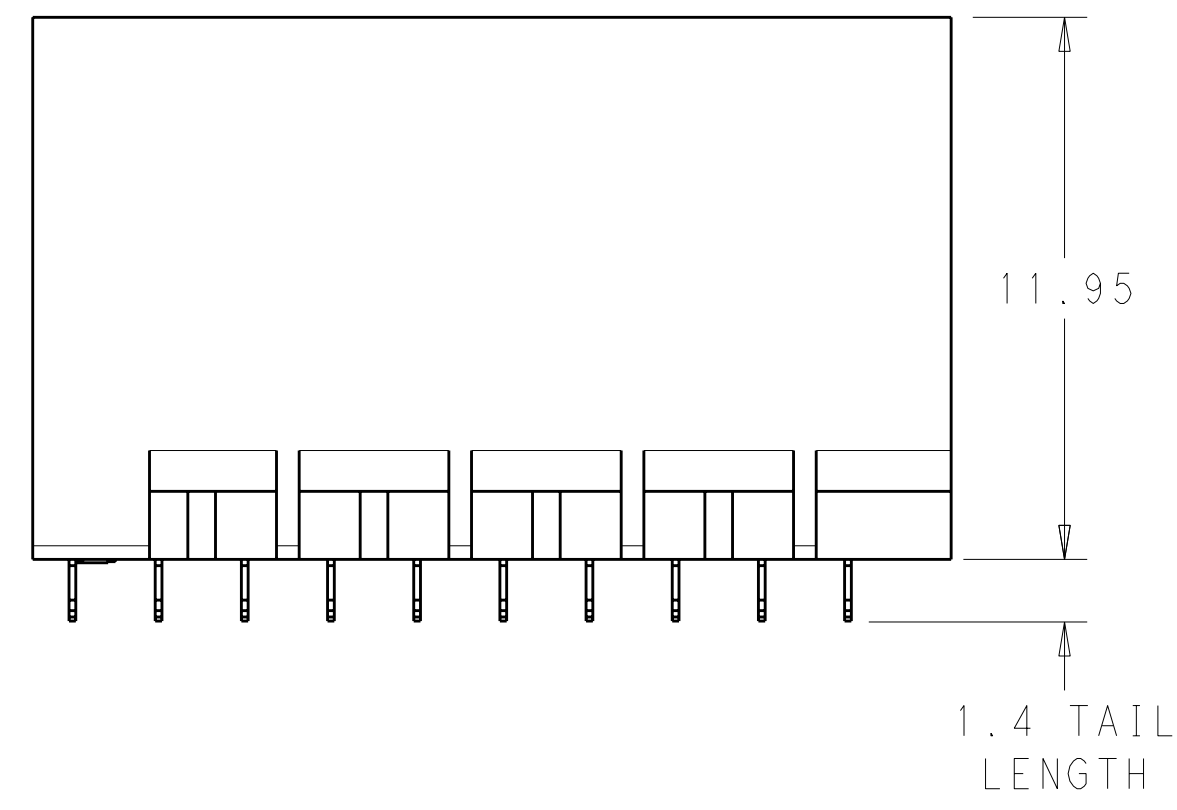
LOC		DIST		REVISIONS			
AD	00	P	LT#	DESCRIPTION	DATE	DWN	APVD
		B		REVISED PER ECO-11-025276	26DEC11	KH	DY



- 1 MATERIAL:
HOUSING: LCP, GLASS FILLED, UL94V-0.
TERMINALS: HIGH PERFORMANCE COPPER ALLOY.
- 2 FINISH:
30µ" MIN GOLD IN CONTACT AREA. SELECTIVE TIN
ON PCB TAILS, NICKEL OVERALL.
- 3 FINISH:
30µ" MIN GOLD IN CONTACT AREA. SELECTIVE TIN-LEAD
ON PCB TAILS, NICKEL OVERALL.



UNGUIDED
BACKPLANE HOLE PATTERN
(CONNECTOR SIDE)



THIS DRAWING IS A CONTROLLED DOCUMENT.		DWN	J. K. SHOBER	13JAN2011	TE Connectivity
DIMENSIONS:		CHK	J. EABY	13JAN2011	
mm	9 PLC ± 1 PLC ±0.25 3 PLC ±0.13 4 PLC ± 4 PLC ±	APVD	J. EABY	13JAN2011	NAME
		TOLERANCES UNLESS OTHERWISE SPECIFIED:		PRODUCT SPEC	IMPACT, 4 PAIR, 10 COLUMN, HEADER
MATERIAL		FINISH		APPLICATION SPEC	UNGUIDED, RIGHT END WALL
SEE TABLE		SEE TABLE		SIZE	SIGNAL MODULE, 0.39 PTH
CUSTOMER DRAWING		SCALE		WEIGHT	A100779C=2007823
		6:1		RESTRICTED TO	
		SHEET		1	OF
		2		REV	B

THIS DRAWING IS UNPUBLISHED. RELEASED FOR PUBLICATION 20
 © COPYRIGHT 20 . . . ALL RIGHTS RESERVED.

LOC	DIST	REVISIONS					
AD	00	P	LTB	DESCRIPTION	DATE	DWN	APVD
		-	-	SEE SHEET 1	-	-	-

	5.5	2007823-6
	4.9	2007823-5
	4.5	2007823-4
	5.5	2007823-3
	4.9	2007823-2
	4.5	2007823-1
FINISH	DIM M	PART NUMBER

REFER TO WWW.TE.COM
FOR PRODUCT AVAILABILITY

THIS DRAWING IS A CONTROLLED DOCUMENT.		DWN J. K. SHOBER 13JAN2011	
DIMENSIONS: mm		CHK J. EARY 13JAN2011	
TOLERANCES UNLESS OTHERWISE SPECIFIED: 9 PLC ± 7 PLC ±0.25 5 PLC ±0.13 4 PLC ± ANGLES ± FINISH SEE TABLE		APVD J. EARY 13JAN2011	NAME IMPACT, 4 PAIR, 10 COLUMN, HEADER UNGUIDED, RIGHT END WALL SIGNAL MODULE, 0.39 PTH
MATERIAL -	SEE TABLE	PRODUCT SPEC -	APPLICATION SPEC -
CUSTOMER DRAWING		WEIGHT -	RESTRICTED TO -
SCALE 5:1		SHEET 2 OF 2	REV B